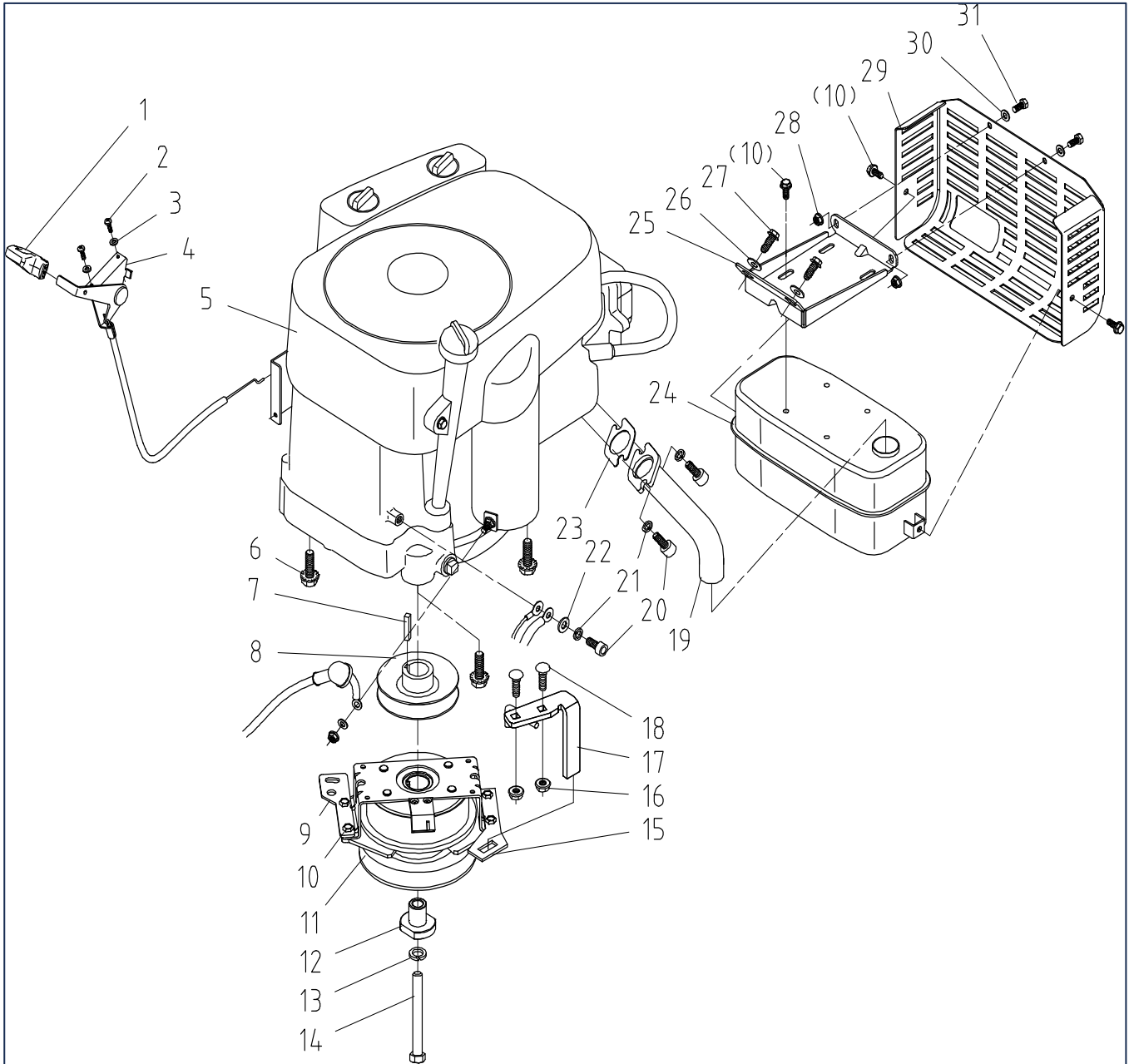


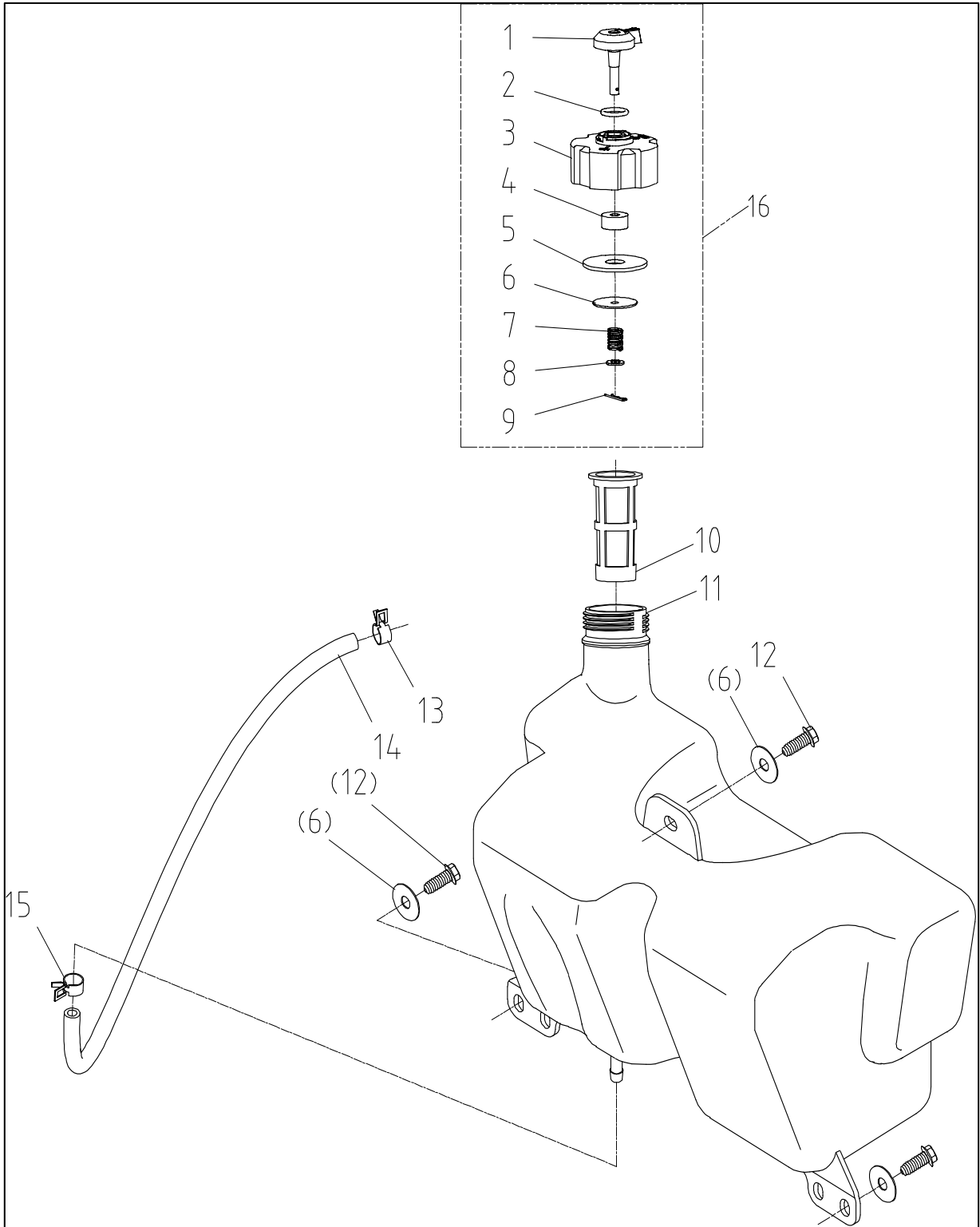
Model: TTC102H

Part Number: 90063134

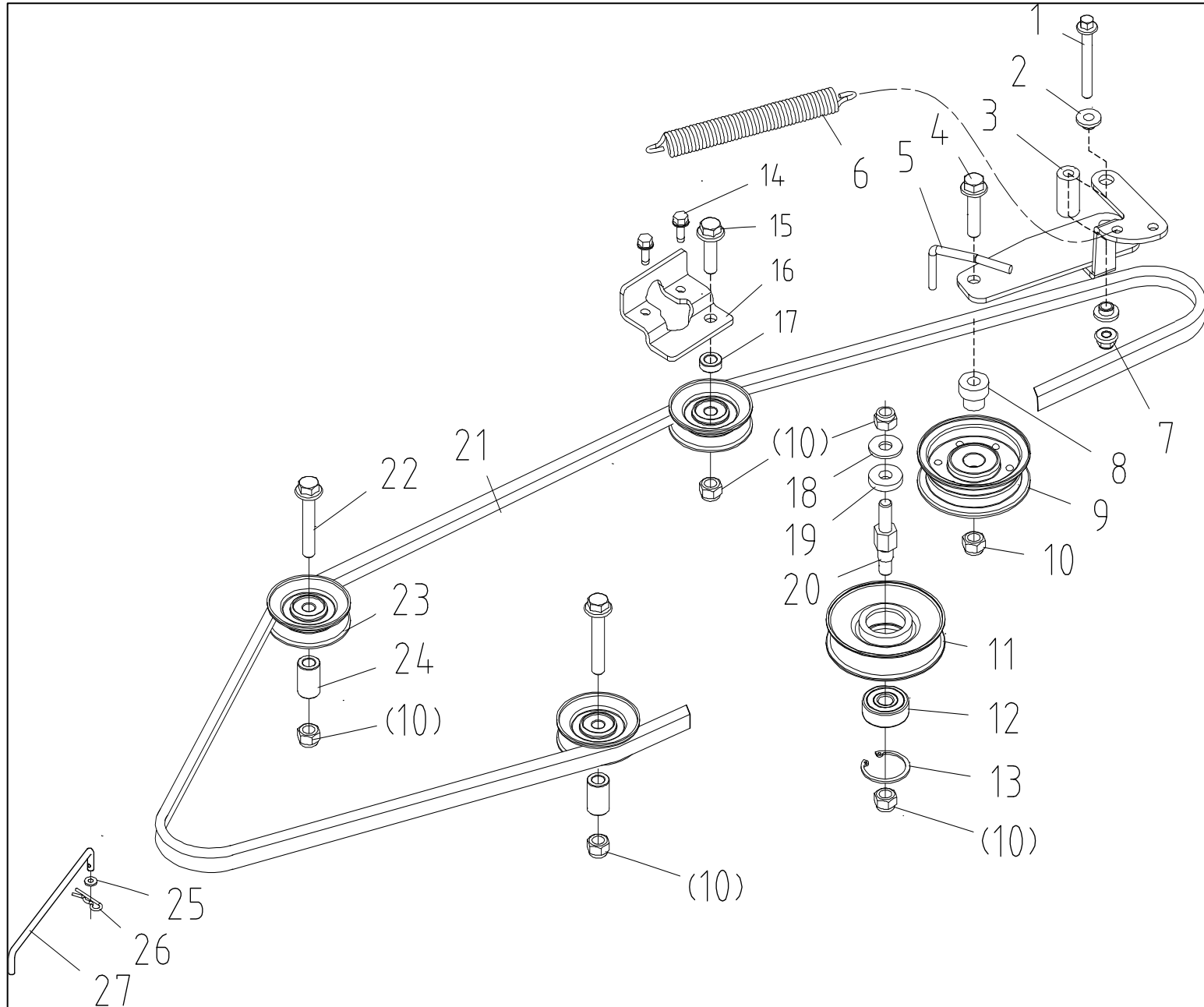
Year: 2024



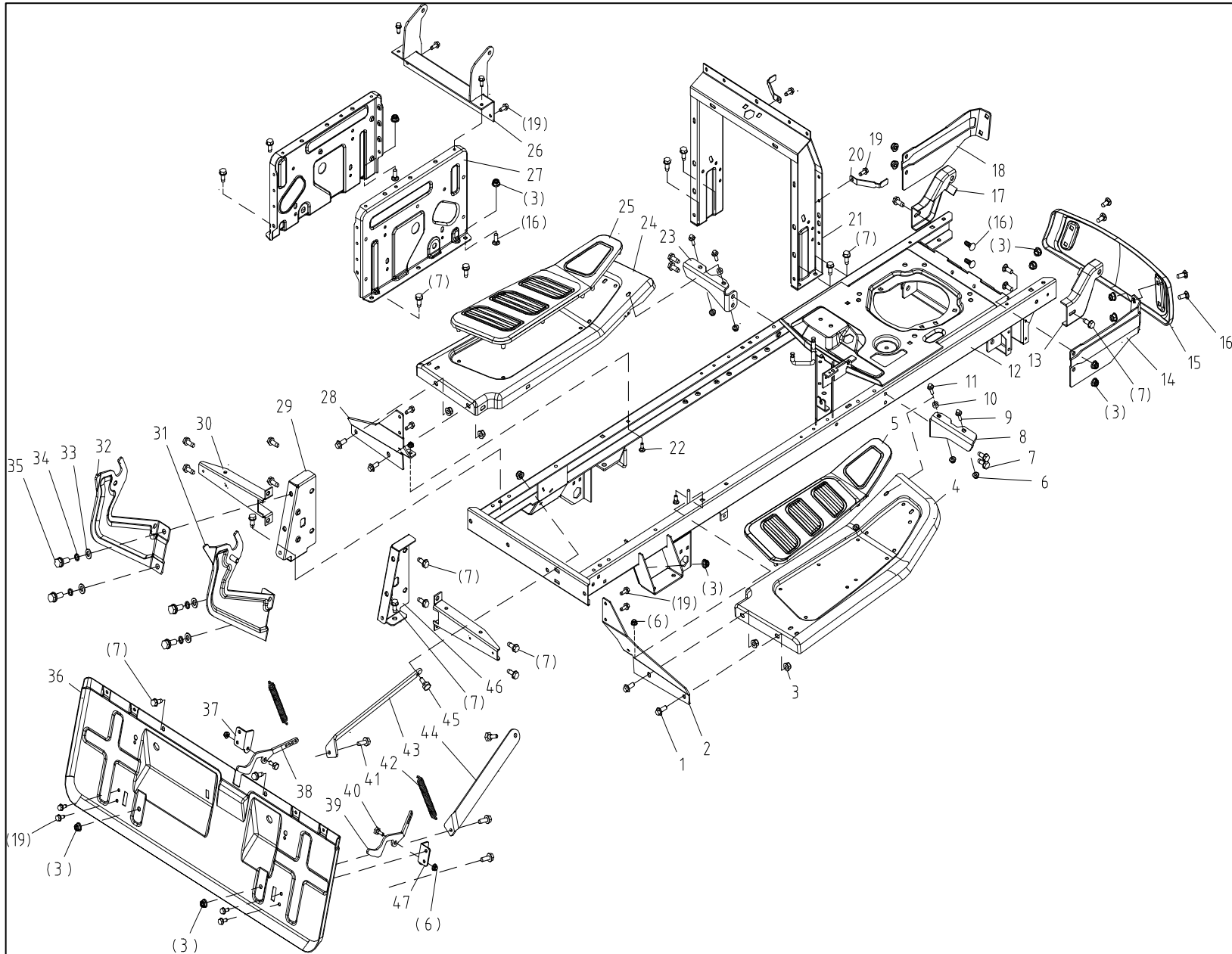
POS	QTY	PARTNUMBER	BESKRIVELSE	DESCRIPTION
1	1	451633	CHOKERHÅNDTAG	CHOKE KNOB
2	2	449498	SKRUE M4X16	SCREW M4×16
3	2	436590	SKIVE M10	WASHER
4	1	436571	GASKABEL MED REGULATOR	THROTTLE CABLE
5	1	LC1P92F-1	LC1P92F-1/452 CC	ENGINE 452CC
6	4	449499	BOLT 3/8"-16-1 1/4"	"TAPPING SCREW 3/8""-16-1 1/4""
7	1	439442	NOT	FLAT KEY 6.35×30
8	1	440448	MOTORREMSKIVE	ENGINE PULLEY WELDMENT
9	1	452518	HOLDER	SUPPORT
10	10	451640	BOLT M6X16	TAPPING SCREWM6*16
11	1	451634	ELEKTRISK KOBLING	ELECTRIC CLUTCH
12	1	451635	KOBLINGS BØS	CLUTCH STEP BUSHING
13	1	439445	FJEDERSKIVE 7/16"	"SPRING WASHER 7/16""
14	1	436589	KNIVBOLT	BOLT 3/8-24UNF
15	1	451636	KOBLINGSBESLAG	CLUTCH CLAMP PLATE
16	2	449501	LÅSEMØTRIK M8	FLANGE LOCK NUT M6
17	1	452590	BESLAG	CLUTCH BAFFLE (SMALL BIN)
18	2	439472	BOLT M8X20	BOLT M8×20
19	1	439448	UDSTØDNINGRØR	EXHAUST PIPE
20	3	439446	SKRUE 5/16"-18-3/4"	" SCREW 5/16""-18 -3/4""
21	3	439445	FJEDERSKIVE 7/16"	"SPRING WASHER 7/16""
22	1	436590	SKIVE M10	WASHER
23	1	439447	PAKNING	GASKET
24	1	439471	UDSTØDNING	MUFFLE
25	1	451641	BESLAG	BRACKET
26	2	439465	SKIVE 10	BIG WASHER 6
27	2	451616	FLANGEBOLT M5X16-18TX3/4	FLANGE BOLT5/16-18TX3/4
28	2	452519	LÅSEMØTRIK M6	FLANGE LOCK NUT M6
29	1	439467	SKJOLD	FRONT SHIELD
30	2	439465	SKIVE 10	BIG WASHER 6
31	2	439462	BOLT M8X16	BOLT M8×16



POS	QTY	PARTNUMBER	BESKRIVELSE	DESCRIPTION
1	1	439449	VENTIL	FUEL TANK CAP LEVER
2	1	439450	GUMMIRING	O RING
3	1	439451	TANKDÆKSEL	FUEL TANK CAP
4	1	439452	FILTER	FUEL TANK CAP FILTER
5	1	439453	PAKNING	FUEL TANK CAP SEAL
6	4	439454	TANKPAKNING 6X25X1.5	GASKET 6×25×1.5
7	1	439455	FJEDER	FUEL TANK CAP SPRING
8	1	436590	SKIVE M10	WASHER
9	1	439456	SPLIT	SPLIT PIN
10	1	436572	BENZINFILTER	FILTER CAP
11	1	439457	BRÆNDSTOFTANK	FUEL TANK
12	3	451640	BOLT M6X16	TAPPING SCREWM6*16
13	1	439458	KLEMME	CLIP 10
14	1	439459	BRÆNDSTOFSLANGE	FUEL HOSE
15	1	449502	KLEMME	CLIP ?10
16	1	451018	TANKLÅG KPL.	FUEL CAP ASSY

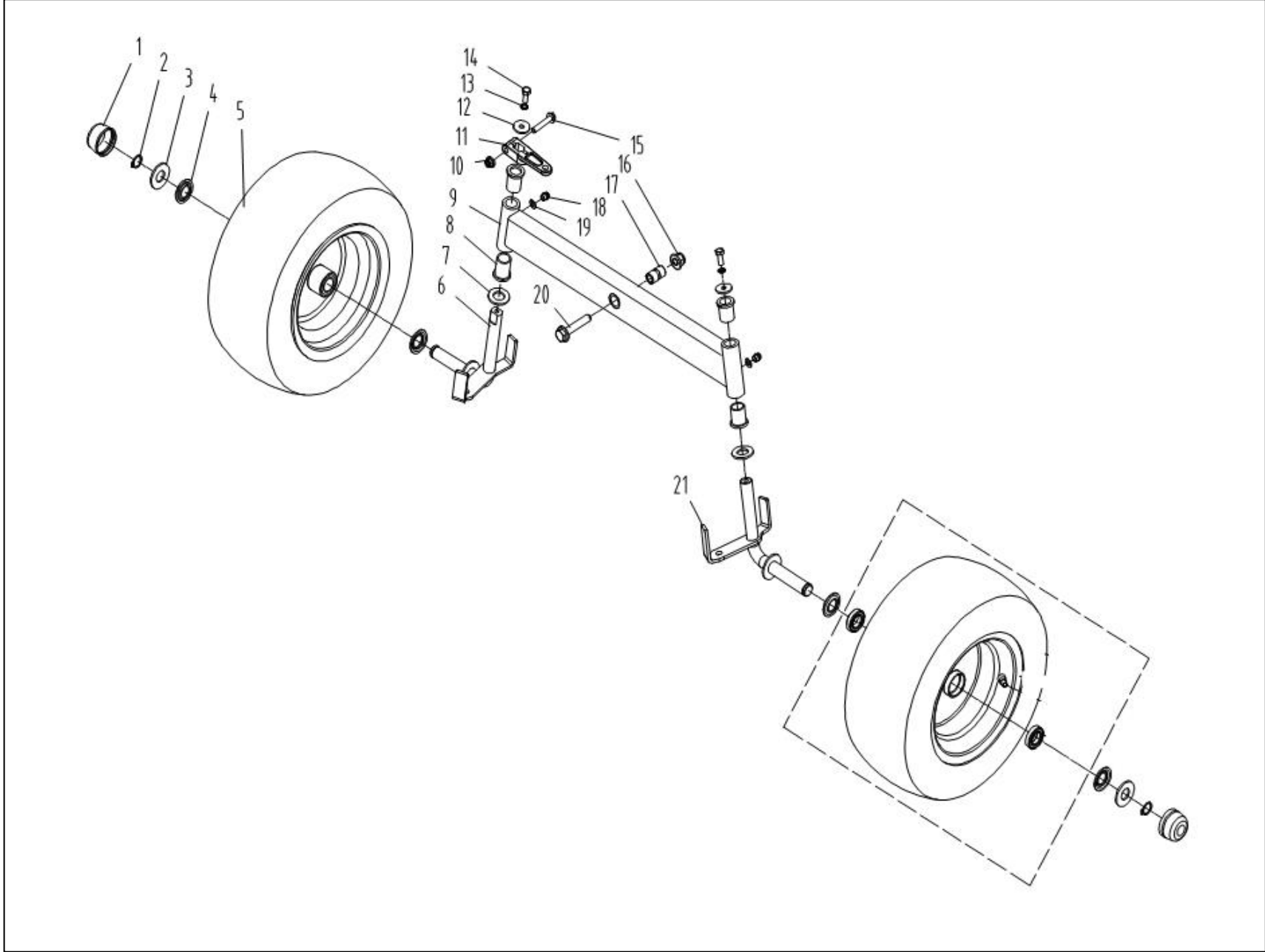


POS	QTY	PARTNUMBER	BESKRIVELSE	DESCRIPTION
1	1	449506	BOLT M10X1.25X40	" FLANGE BOLT M10×1.25×40
2	2	451643	SKIVE Ø8X18X33	BUSHING
3	1	451644	BØS	SPACER ϕ 8X ϕ 18X33
4	1	449506	BOLT M10X1.25X40	" FLANGE BOLT M10×1.25×40
5	1	451645	DRIVARM	DRIVING TENTION ARM WELDMENT
6	1	436576	FJEDER	SPRING
7	1	449503	MØTRIK M8	FLANGE NUT M6
8	1	439487	BØS	TENTION PULLEY BUSHING
9	1	436575	REMSKIVE	TENSION PULLEY
10	6	439481	LÅSEMØTRIK M10X1.25	LOCK NUT M10×1.25
11	1	436574	REMSKIVE	TENSION PULLEY
12	1	436583	LEJE 6203-2RZ	BEARING 61904-2RZ
13	1	439480	LÅSERING 37	SNAP RING 37
14	4	451640	BOLT M6X16	TAPPING SCREWM6*16
15	1	449506	BOLT M10X1.25X40	" FLANGE BOLT M10×1.25×40
16	1	452591	BESLAG	GUIDE PULLEY BASE PLATE
17	1	452592	SKIVE 10X18X7	WASHER ϕ 10X ϕ 18X7
18	1	439465	SKIVE 10	BIG WASHER 6
19	1	451647	SKIVE Ø27X10X5,5	WASHER ϕ 27X ϕ 10.5X5
20	1	451646	BOLT	BOLT
21	1	451648	DRIVREM	V BELT LG4-1030
22	2	449506	BOLT M10X1.25X40	" FLANGE BOLT M10×1.25×40
23	3	440468	REMHJUL	IDLER PULLEY
24	2	451649	BØS	GUIDE PULLEY CUSHION SLEEVE
25	1	436590	SKIVE M10	WASHER
26	1	439456	SPLIT	SPLIT PIN
27	1	451650	ARM	OIL DRAIN PUSH ROD(K46)

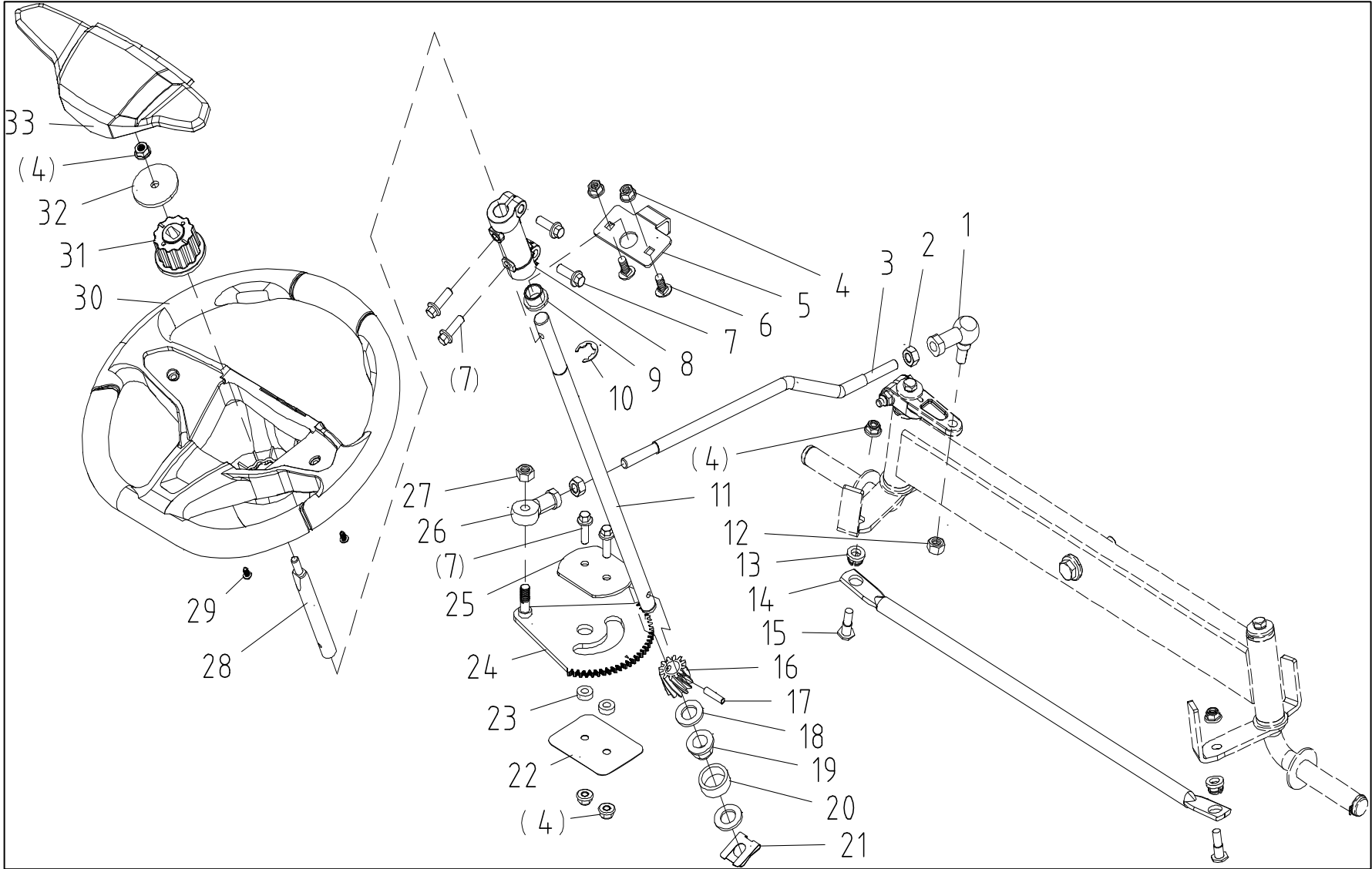


POS	QTY	PARTNUMBER	BESKRIVELSE	DESCRIPTION
1	4	449511	BOLT M6X16	FLANGE BOLT M10×1.25×25
2	1	451651	BESLAG	RIGHT PEDAL HANGER
3	18	449501	LÅSEMØTRIK M8	FLANGE LOCK NUT M6
4	1	451652	FODPLADE HØJRE	RIGHT PEDAL
5	1	451653	GUMMI MÅTTE HØJRE	RIGHT FOOT PAD
6	8	449501	LÅSEMØTRIK M8	FLANGE LOCK NUT M6
7	26	451616	FLANGEBOLT M5X16-18TX3/4	FLANGE BOLT5/16-18TX3/4
8	1	451654	BESLAG FOR PEDAL HØJRE	PEDAL FRONT SUPPORT RIGHT
9	2	439441	BOLT M8X45	FLANGE BOLT M10×1.5×35
10	2	439518	BØS	BUSHING
11	2	449511	BOLT M6X16	FLANGE BOLT M10×1.25×25
12	1	451655	RAMME	CHASIS
13	1	451656	BESLAG	ENGINE COVER BRACKET RIGHT
14	1	451657	BESLAG FOR KOFANGER HØJRE	RIGHT BAMPER ROD
15	1	451658	KOFANGER	BAMPER
16	10	439472	BOLT M8X20	BOLT M8×20
17	1	451659	BESLAG	ENGINE COVER BRACKET LEFT
18	1	451660	BESLAG FOR KOFANGER VENSTRE	LEFT BAMPER ROD
19	14	451640	BOLT M6X16	TAPPING SCREWM6*16
20	2	451661	BESLAG	STEERING
21	1	451662	BESLAG	STEERING BRACKET
22	2	439472	BOLT M8X20	BOLT M8×20
23	1	451663	BESLAG	PEDAL FRONT SUPPORT LEFT
24	1	451664	FODPLADE VENSTRE	LEFT PEDAL
25	1	451665	GUMMIMÅTTE VENSTRE	LEFT FOOT PAD
26	1	451666	BESLAG	SEAT FRONT BEAM WELDMENT
27	2	451667	SIDEPLADE	SIDE PLATE
28	1	451668	PEDALOPHÆNG	LEFT PEDAL HANGER
29	1	451669	FORBINDINGSPLADE	TRAPEZOIDAL CONNECTING PLATE PLATE WELDM
30	2	451670	BESLAG	TAILGATE BRACKET
31	1	451671	SVINGBESLAG HØJRE	SWINGING FRAME RIGHT WELDMENT
32	1	451672	SVINGBESLAG VENSTRE	SWINGING FRAME LEFT WELDMENT
33	4	403342	SKIVE 4	WASHER
34	4	403343	FJEDERSKIVE	SPRING COLLAR
35	4	451638	FLANGEBOLT M8X16	FLANGE BOLT M8×16
36	1	451673	BAGERSTE BESLAG	REAR DAMPER
37	1	451674	BESLAG FOR KROG VENSTRE	HOOK BASE LEFT
38	1	451675	KROG	HOOK
39	1	452608	KROG	HOOK R
40	2	440966	GUMMIPROP	BUMPER
41	2	449511	BOLT M6X16	FLANGE BOLT M10×1.25×25
42	2	440812	FJEDER	SPRING

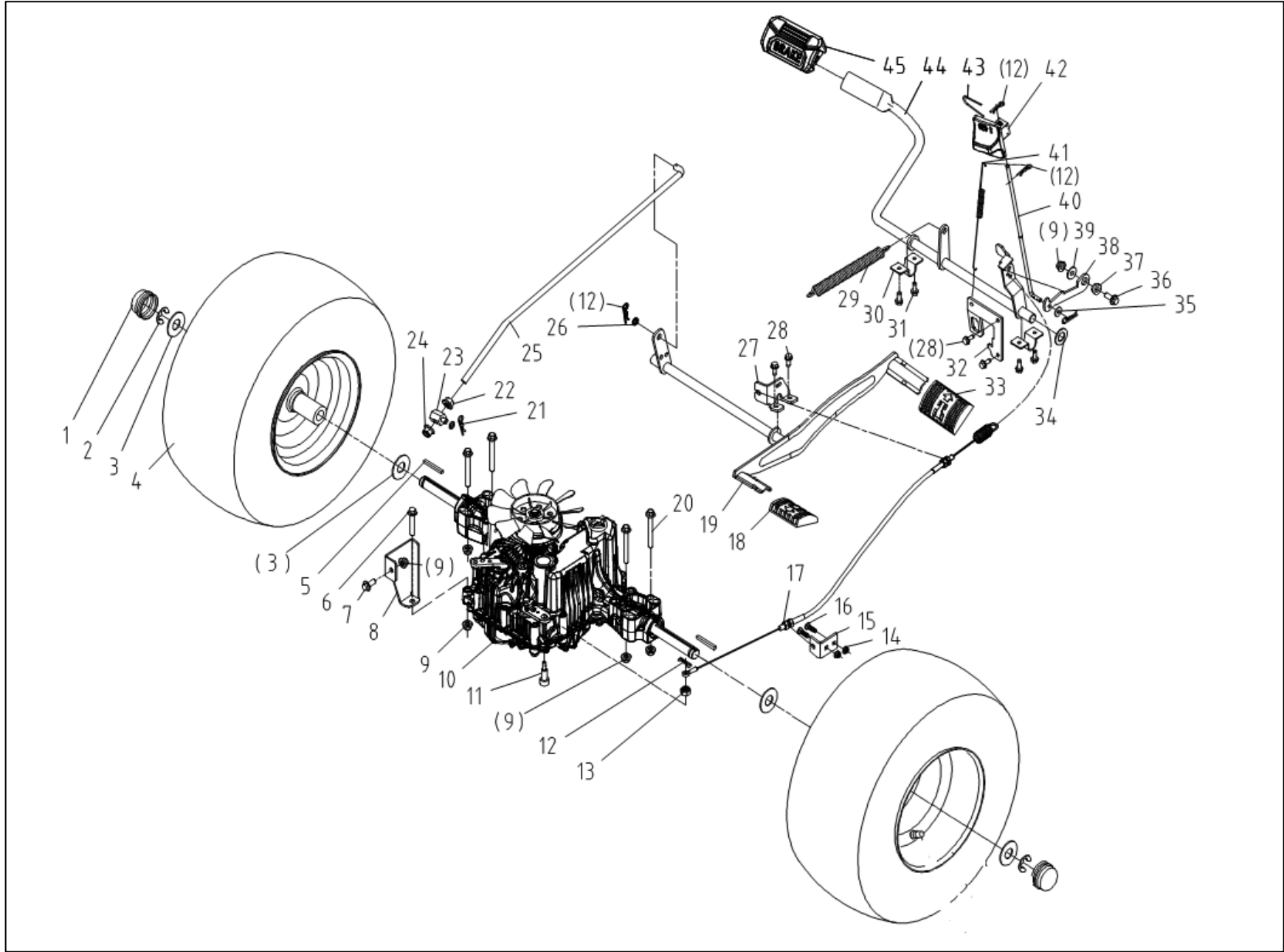
POS	QTY	PARTNUMBER	BESKRIVELSE	DESCRIPTION
43	1	451676	BESLAG VENSTRE	BACK JACKSTAY LEFT
44	1	451677	BESLAG HØJRE	BACK JACKSTAY RIGHT
45	2	451678	BOLT M8X20	STEP BOLT M8×20
46	1	451679	FORBINDINGSPLADE	TRAPEZOIDAL CONNECTING PLATE PLATE WELDM
47	1	451680	BESLAG FOR KROG HØJRE	HOOK BASE RIGHT



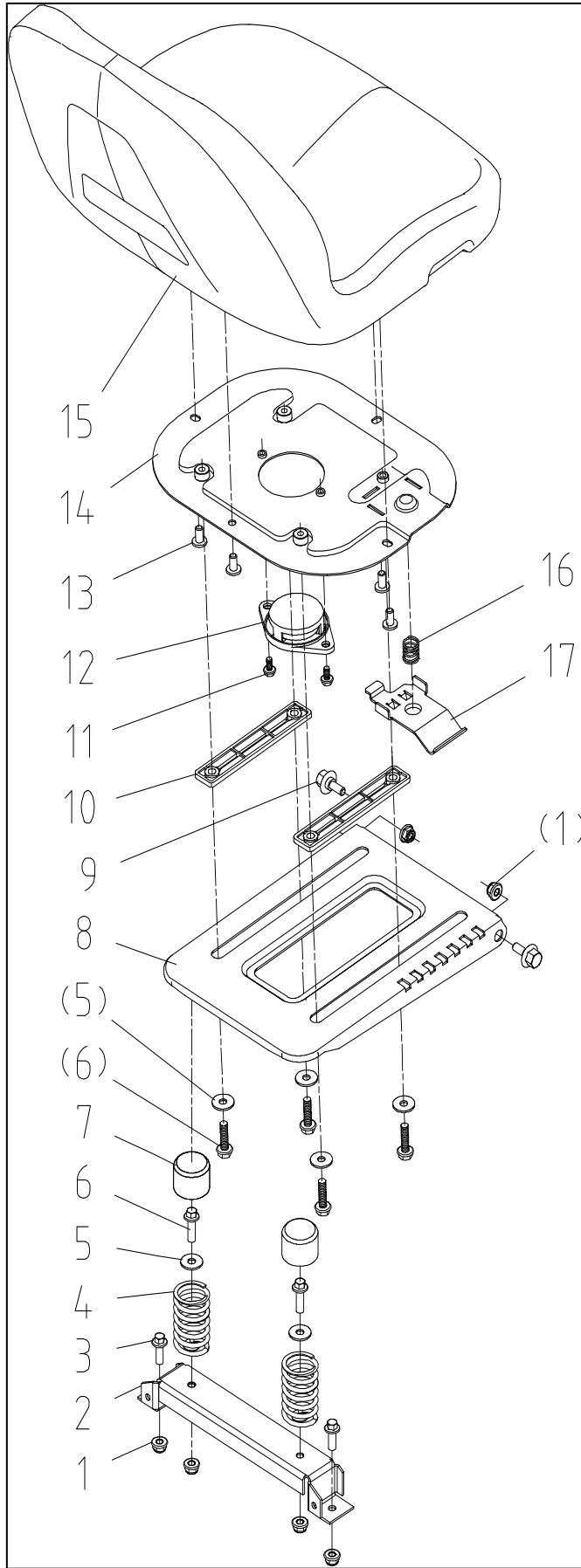
POS	QTY	PARTNUMBER	BESKRIVELSE	DESCRIPTION
1	2	439521	NAVKAPSEL	HUB COVER
2	2	436587	SEEGERRING Ø24	SNAP RING 19
3	2	439522	SKIVE 20X43X3	WASHER 20x43x3
4	4	439523	SKIVE	WASHER
5	2	452595	FORHJUL KOMPLET	FRONT WHEEL ASSEMBLY
6	1	451682	HJULGAFFEL VENSTRE	FRONT AXLE RH
7	2	436590	SKIVE M8	WASHER
8	4	439525	BØS	BUSHING
9	1	451683	FORBRO	FRONT AXLE WELDMENT
10	1	449501	LÅSEMØTRIK M8	FLANGE LOCK NUT M6
11	1	449513	BESLAG	TURNING ARM
12	2	440881	SKIVE	WASHER
13	2	439440	FJEDERSKIVE 10	SPRING WASHER 10
14	2	439462	BOLT M8X16	BOLT M8x16
15	1	439441	BOLT M8X45	FLANGE BOLT M10x1.5x35
16	1	439474	AFSTANDSSTYKKE	FLANGE LOCK NUT M10x1.25
17	1	451684	FORRØR	LINER TUBE
18	2	439498	SMØRENIPPEL	OIL INJECTION NOZZLE
19	2	436590	SKIVE M8	WASHER
20	1	440954	BOLT M6X20	HEXGON BOLT M6X20
21	1	451685	HJULGAFFEL HØJRE	FRONT AXLE LH



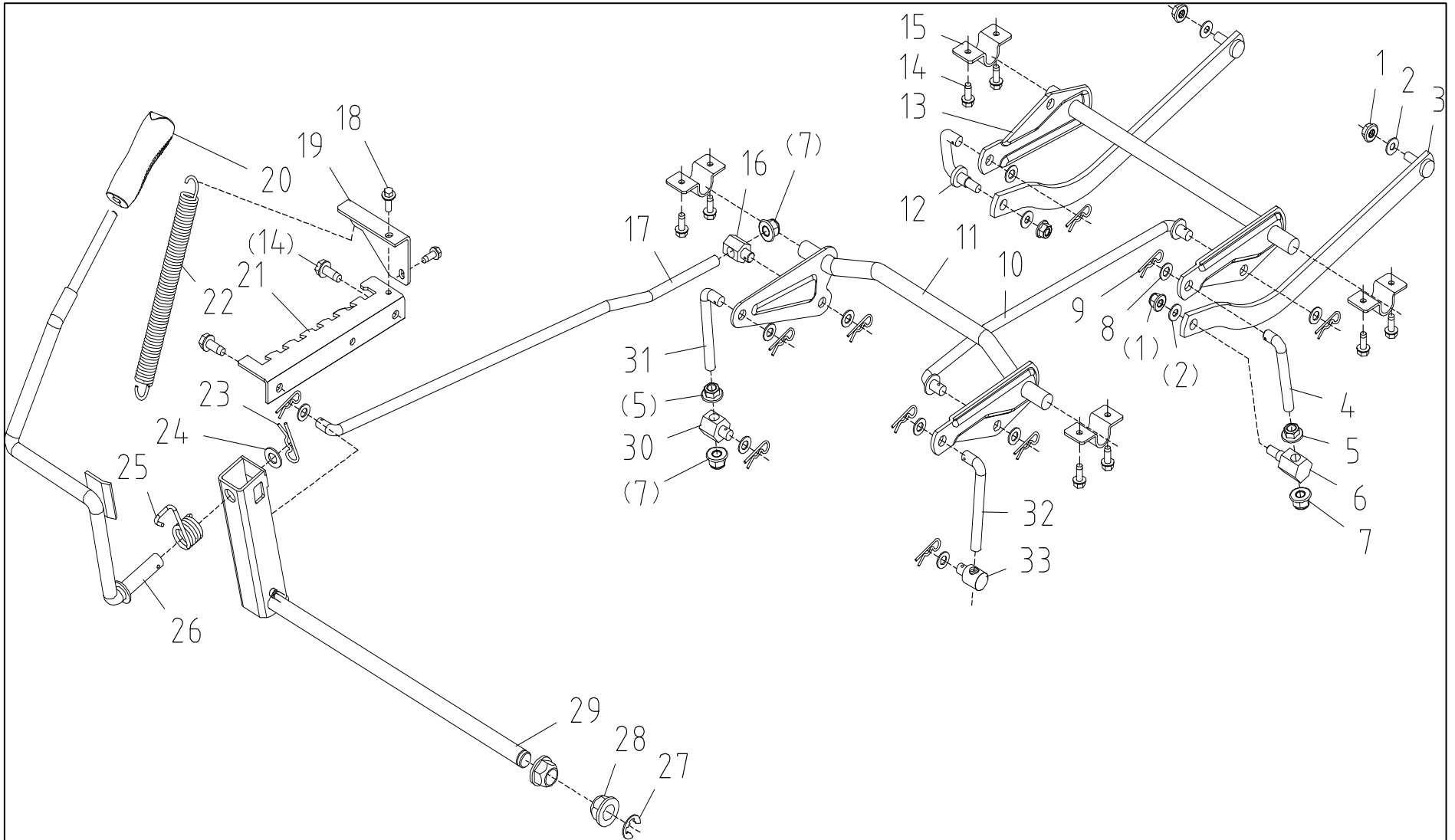
POS	QTY	PARTNUMBER	BESKRIVELSE	DESCRIPTION
1	1	451686	KARDANLED	JOINT BEARING M10
2	2	449512	MØTRIK M8	NUT M8
3	1	451687	FORBINDELSSESSTANG	STEERING DRAG ROD
4	7	449501	LÅSEMØTRIK M8	FLANGE LOCK NUT M6
5	1	451688	PLADE MED FIRKANTET HUL	SQUARE HOLE CARD BOARD
6	2	439472	BOLT M8X20	BOLT M8×20
7	6	439441	BOLT M8X45	FLANGE BOLT M10×1.5×35
8	1	451689	SAMLE BESLAG	COUPLINGS
9	1	451690	BØS	HATCH BUSHING
10	1	436587	SEEGERRING Ø24	SNAP RING 19
11	1	451691	RATSTAMME	STEERING COLUMN
12	1	439544	LÅSEMØTRIK M10	LOCK NUT M10
13	2	451692	GUMMIBØS	ELASTIC RUBBER BUSH
14	1	451693	STYRESTANG	STEERING TIE ROD
15	2	451694	PINBOLT M8X28	PIN SCREW M8×28
16	1	451695	GEAR TANDHJUL TIL RATSTAMME	STEERING GEAR LEFT
17	1	439549	SPLIT 6X26	PIN 6×26
18	2	436590	SKIVE M10	WASHER
19	1	439553	BØSNING	HEXAGON BUSHING
20	1	439552	BØS	BUSHING
21	1	451696	LÅSERING 16	SNAP RING 16
22	1	449518	BOLT M8X45	TIE PLATE
23	2	439550	BØS	BUSHING
24	1	451697	STYREPLADE	STEERING GEAR PLATE WELDMENT
25	1	439547	BESLAG	DOUBLE HOLE BOARD
26	1	439542	FORBINDELSSESLED	JOINT BEARING SIJK10C
27	1	439481	LÅSEMØTRIK M10X1.25	LOCK NUT M10×1.25
28	1	451698	FORBINDELSSESSTANG FOR RATSTAMME	STEERING WHEEL ROD A
29	2	429739	PLADESKRUE MED PANHOVED OG POZIDRIVE 4,8X14	ST SCREW 4.8X13
30	1	451699	RAT	STEERING WHEEL
31	1	451700	RATNAV	SPLINED HUB
32	1	451701	SKIVE	WASHER
33	1	451702	AFSKÆRMNING	STEERING WHEEL CAP



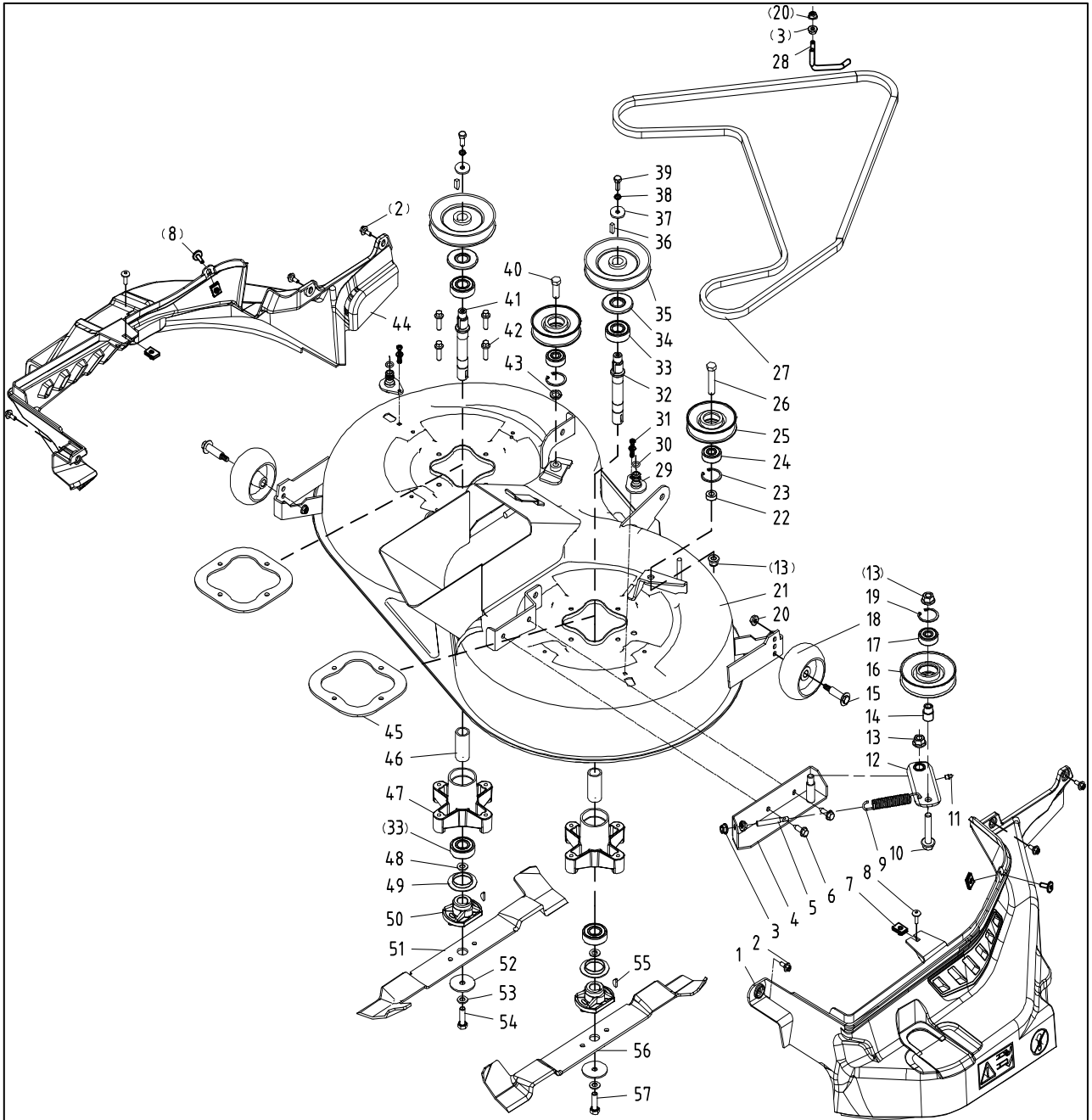
POS	QTY	PARTNUMBER	BESKRIVELSE	DESCRIPTION
1	2	439521	NAVKAPSEL	HUB COVER
2	2	439532	LÅSERING 8	RETAINER RING 15
3	4	439522	SKIVE 20X43X3	WASHER 20x43x3
4	2	436584	BAGHJUL	REAR WHEEL ASSEMBLY
5	2	439535	NOT 4.75X7.75X60	FLAT KEY 4.75x4.75x60
6	1	449511	BOLT M6X16	FLANGE BOLT M10x1.25x25
7	1	449511	BOLT M6X16	FLANGE BOLT M10x1.25x25
8	1	451703	PLADE FOR HYDROSTATISK AKSEL	REAR FIXED PLATE OF HYDRAULIC AXLE (T2 S
9	6	449501	LÅSEMØTRIK M8	FLANGE LOCK NUT M6
10	1	451704	HYDROSTATISK GEAR	TRANSAXLE, HYDRO GEAR
11	1	451705	SPLITBOLT	BOW-TIE COTTER PIN 2(K46)
12	4	449510	FJEDERSPLIT	SPRING PIN
13	1	439544	LÅSEMØTRIK M10	LOCK NUT M10
14	2	449501	LÅSEMØTRIK M8	FLANGE LOCK NUT M6
15	1	451706	KABELHOLDER	
16	2	439472	BOLT M8X20	BOLT M8x20
17	1	452596	BREMSEKABEL	BRAKE CABLE (K46)
18	1	439694	PEDALGUMMI BAK	REVERSE PEDAL
19	1	451708	PEDALARM	FOOT LEVER WELDMENT
20	4	449511	BOLT M6X16	FLANGE BOLT M10x1.25x25
21	1	439478	FJEDERSPLIT	COTTER PIN
22	4	439488	MØTRIK M10X1.25	" FLANGE NUT M10x1.25
23	1	451709	BESLAG FOR TRÆKSTANG	PULL ROD PIN
24	1	439481	LÅSEMØTRIK M10X1.25	LOCK NUT M10x1.25
25	1	451710	TRÆKSTANG	TRAVELING PULL ROD(K46)
26	1	436590	SKIVE M10	WASHER
27	1	452597	BESLAG	CABLE FIXING PLATE
28	4	451640	BOLT M6X16	TAPPING SCREWM6*16
29	1	451711	FJEDER FOR BREMSE	BRAKE RESET TENSION SPRING
30	2	451712	BESLAG	U-SHAPED CLAMP
31	4	451616	FLANGEBOLT M5X16-18TX3/4	FLANGE BOLT5/16-18TX3/4
32	1	452542	BESLAG	BRAK SWITCH SERT PLATE
33	1	439695	PEDAL FREM	FORWARD PEDAL
34	1	436590	SKIVE M10	WASHER
35	1	436590	SKIVE M10	WASHER
36	1	449511	BOLT M6X16	FLANGE BOLT M10x1.25x25
37	1	452543	TRINDÆKSEL	STEP COVER
38	1	452544	PARKERINGSKROG	PARKING HOOK
39	1	452545	SKIVE 8	BIG WASHER 8
40	1	452546	BREMSE	DRAG LINK, BRAKE PARKING
41	1	436602	FJEDER	CLUTCH LEVER SPRING
42	1	451718	BREMSE HÅNDTAG	BRAKE HANDLE
43	1	451719	STIFT U-FORMET	U BOLT
44	1	451720	BREMSE PEDAL	BRAKE FOOT BAR WELDMENT(HYDRAULIC PRESSU
45	1	451721	GUMMI BESLAG TIL BREMSEPEDAL	BRAKE PEDAL



POS	QTY	PARTNUMBER	BESKRIVELSE	DESCRIPTION
1	6	449501	LÅSEMØTRIK M8	FLANGE LOCK NUT M6
2	1	451722	BESLAG FOR SÆDE	SEAT BACK BEAM
3	2	90122150	FLANGEBOLT M8X20	COLLAR BOLT M8X20
4	2	439572	FJEDER	SEAT SPRING
5	6	439465	SKIVE M10	BIG WASHER 6
6	6	448017	FLANGEBOLT M8X25	HEXAGON FLANGE BOLT M8X25
7	2	439573	PROP	SPRING CAP
8	1	452548	SÆDEBESLAG	JUSTABLE SEAT BASE PLATE
9	2	452549	SKRUE	SEAT SCREWS
10	2	452550	SÆDESTRIMMEL	SEAT CUSHION STRIP
11	2	451640	BOLT M6X16	TAPPING SCREWM6*16
12	1	452551	SÆDE KONTAKT	SEAT SWITCH COMPONENTS
13	4	465111	SKRUE M8X20	HEXAGON SOCKET FLAT ROUND HEAD SCREW M8X20
14	1	465112	SÆDEPLADE	SEAT PLATE
15	1	465113	SÆDE	
16	1	465114	FJEDER	SPRING
17	1	465115	PLADE FOR SÆDEJUSTERING	SEAT ADJUSTMENT PLATE

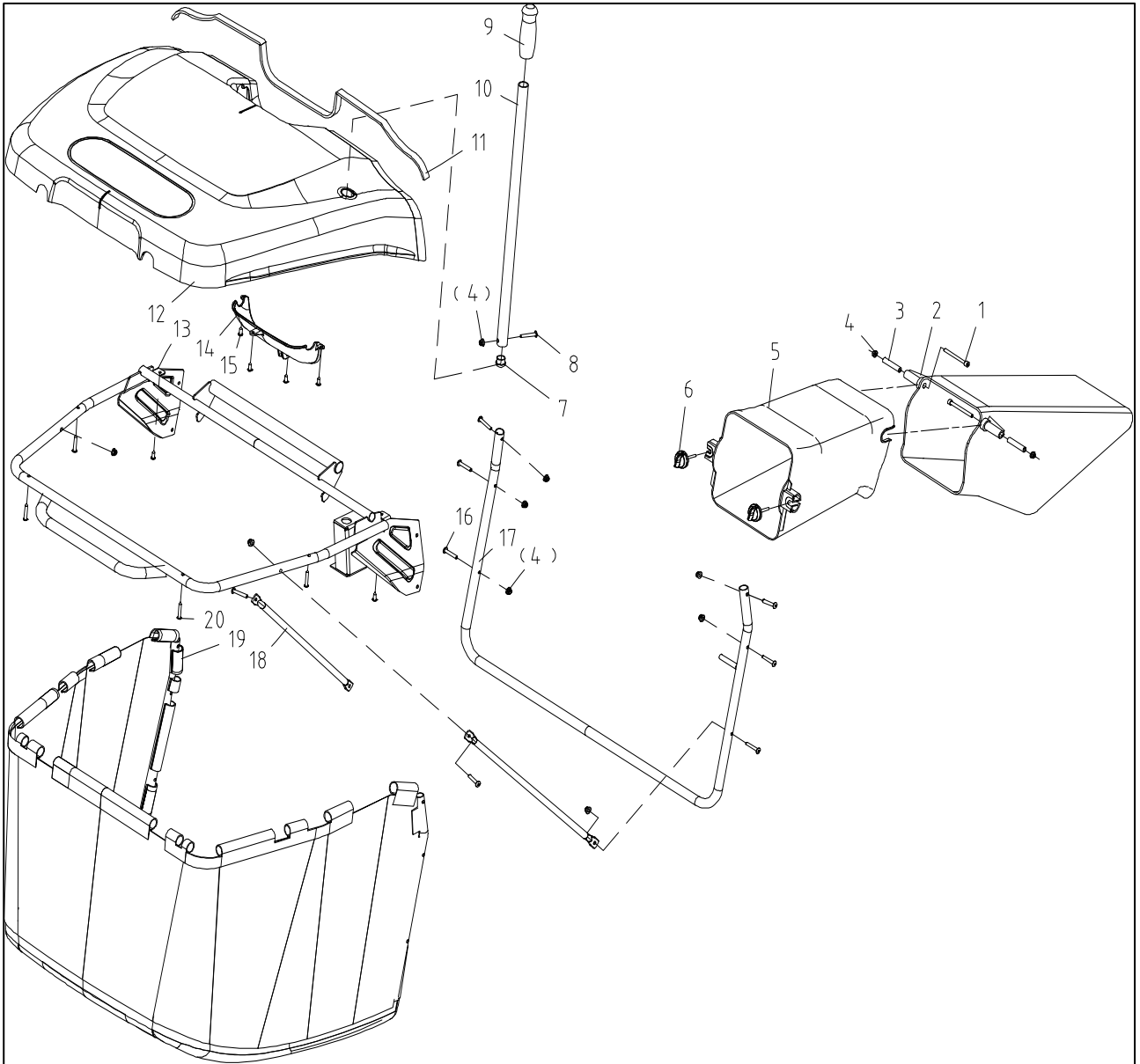


POS	QTY	PARTNUMBER	BESKRIVELSE	DESCRIPTION
1	4	449501	LÅSEMØTRIK M8	FLANGE LOCK NUT M6
2	4	439465	SKIVE 10	BIG WASHER 6
3	2	451728	FRONT BESLAG (STIVER)	FRONT STAY BAR WELDMENT
4	1	451729	STØTTE BESLAG FORREST	FRONT RIGHT DERRICK
5	2	439488	MØTRIK M10X1.25	" FLANGE NUT M10×1.25
6	1	451730	JUSTERINGS BOLT	PIN
7	3	439474	AFSTANDSSTYKKE	FLANGE LOCK NUT M10×1.25
8	10	436590	SKIVE M10	WASHER
9	10	439478	FJEDERSPLIT	COTTER PIN
10	1	451731	LØFTESTANG	LIFTING LINK ROD WELDMENT(REAR DISCHARGE)
11	1	451732	BAGARMS BESLAG	REAR ARM WELDMENT (REAR)
12	1	451733	STØTTEBESLAG FORREST	U DERRICK WELDMENT
13	1	451734	BESLAG FOR STØTTE	FRONT ARM WELDMENT
14	10	451616	FLANGEBOLT M5X16-18TX3/4	FLANGE BOLT5/16-18TX3/4
15	4	451712	BESLAG	U-SHAPED CLAMP
16	1	439591	JUSTERBOLT	ADJUSTING PIN
17	1	451735	LØFTESTANG	LIFTING PULL ROD(REAR DISCHARGE)
18	2	451640	BOLT M6X16	TAPPING SCREWM6*16
19	1	451736	BESLAG	SPRING HANGING PLATE TTM86, ELECTROPLATI
20	1	439503	GREB	HANDLE
21	1	451737	JUSTERINGSBESLAG	RATCHET PLATE
22	1	451738	LØFTEFJEDER	LIFTING HELPING SPRING
23	1	440908	SPLIT	HAIR PIN COTTER 3
24	1	403342	SKIVE 4	WASHER
25	1	440902	FJEDER HØJRE	TORSIONAL SPRING R
26	1	451739	LØFTESTANG	LEVEL WELDMENT
27	1	439532	LÅSERING 8	RETAINER RING 15
28	2	439553	BØSNING	HEXAGON BUSHING
29	1	451740	LØFTEARM	DECK LIFT SHIFT ASSEMBLE
30	1	451741	JUSTERINGSBOLT	PIN JOINT, ELECTROPLATED
31	1	451742	ARM VENSTRE	REAR LEFT SUSPENDER TTM86, ELECTROPLATED
32	1	451743	ARM HØJRE	REAR RIGHT SUSPENDER TTM86, ELECTROPLATE
33	1	439594	JUSTERMØTRIK	ADJUSTING PIN

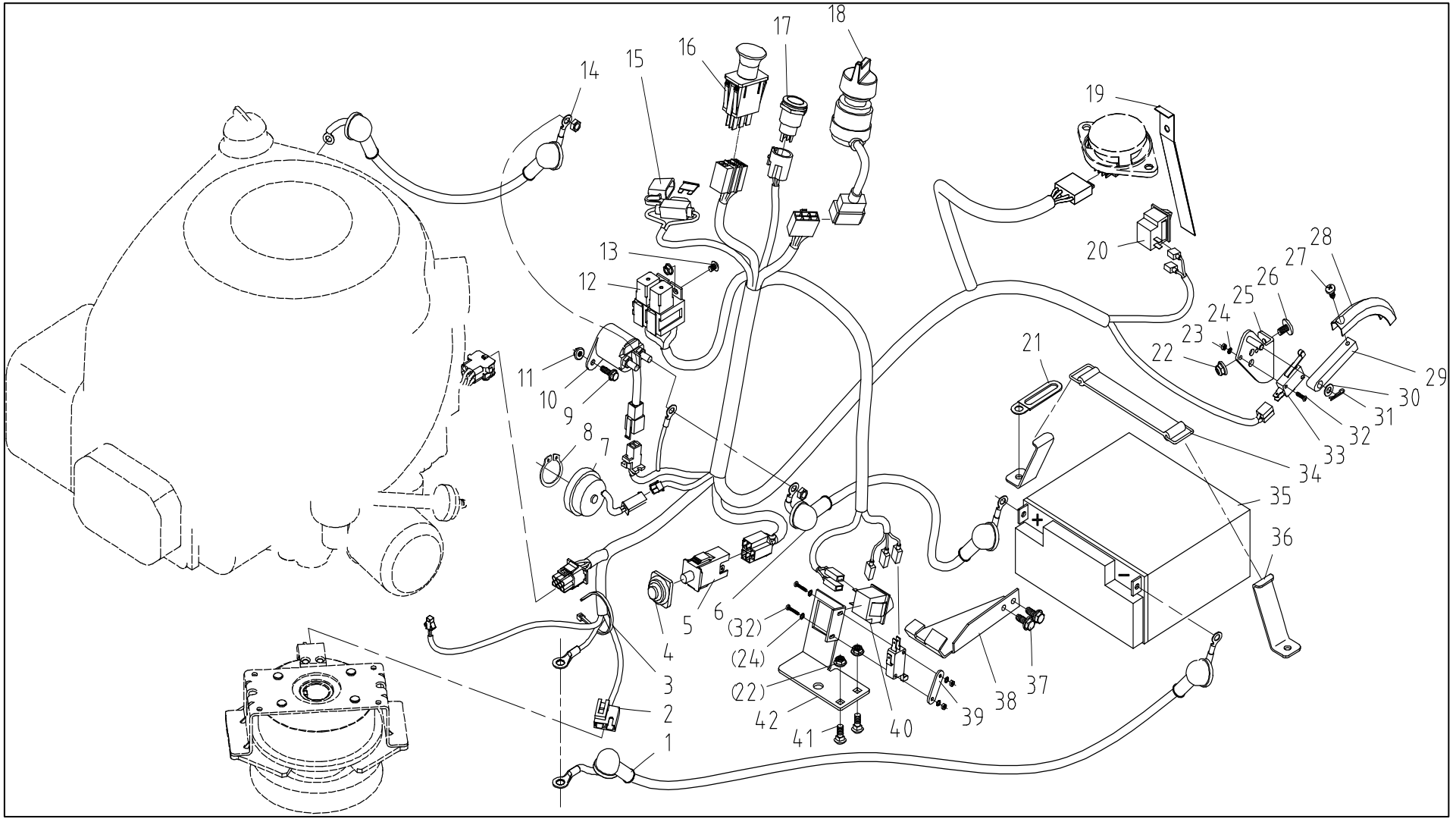


POS	QTY	PARTNUMBER	BESKRIVELSE	DESCRIPTION
1	1	451612	SKÆRM BESLAG	BELT COVER RIGHT
2	6	451613	SKRUE 6,3X11,5	HEXAGON HEAD TAPPING SCREW6.3X11.5
3	3	403226	FLANGEMØTRIK M6	COLLAR NUT M8
4	1	451614	HOLDER	CUT TENTION SUPPORT WELDMENT
5	1	451615	JUSTERINGSSKRUE	ADJUSTING SCREW ROD
6	2	451616	FLANGEBOLT M5X16-18TX3/4	FLANGE BOLT5/16-18TX3/4
7	4	439509	MØTRIK M6	BUCKLE NUT M6
8	4	439622	SKRUE M6X16	SCREW M6×16
9	1	451617	FJEDER	TRACTION SPRING
10	1	449511	BOLT M6X16	FLANGE BOLT M10×1.25×25
11	1	439498	SMØRENIPPEL	OIL INJECTION NOZZLE
12	1	451618	BOLT M12X1.25X50	CUT TENTION ARM WELDMENT
13	2	439474	AFSTANDSSTYKKE	FLANGE LOCK NUT M10×1.25
14	1	451619	LÅSEMØTRIK M12X1.25	TENTION PULLEY CUSHION COVER
15	2	451620	HJULAKSEL	WHEEL AXLE
16	1	451621	REMHJUL	TENTION PULLEY WELDMENT TTM86,PLATING WH
17	1	436583	LEJE 6203-2RZ	BEARING 61904-2RZ
18	2	452609	HJUL	WHEEL
19	1	439480	LÅSERING 37	SNAP RING 37
20	3	449501	LÅSEMØTRIK M8	FLANGE LOCK NUT M6
21	1	451622	KLIPPEBORD	DECK WELDMENT
22	1	451623	LEJE	RIGHT GUIDE WHEEL CUSHION COVER
23	2	439480	LÅSERING 37	SNAP RING 37
24	2	436583	LEJE 6203-2RZ	BEARING 61904-2RZ
25	2	436574	REMSKIVE	TENSION PULLEY
26	1	451624	BOLT LANG	TENTION PULLEY BOLT LONG TTM86,BLACKEN
27	1	451625	KLIPPEREM	BELT
28	1	452610	STANG	CLUTCH LEVER WELDING PART TTM86
29	2	439613	VASKESTUDS	WATER NOZZLE
30	2	439612	SKIVE 11.2X2.65	O RING 11.2×2.65
31	2	451626	PLASTIKNITTE	PLASTIC EXPANSION RIVETS
32	1	451627	KNIVAKSEL HØJRE	RIGHT BLADE AXLE
33	4	440923	LEJE 6204-2RZ	BEARING 6204-2RZ
34	2	440944	LEJE	HOOD, BEARING
35	2	439616	REMSKIVE	PULLEY
36	2	439617	NOT	FLAT KEY C6×18
37	2	440881	SKIVE	WASHER
38	2	403343	FJEDERSKIVE	SPRING COLLAR
39	2	449511	BOLT M6X16	FLANGE BOLT M10×1.25×25
40	1	451628	BOLT	BOLT
41	1	451629	KNIVAKSEL VENSTRE	LEFT BLADE AXLE
42	8	449511	BOLT M6X16	FLANGE BOLT M10×1.25×25
43	1	403343	FJEDERSKIVE	SPRING COLLAR
44	1	451630	REMSKÆRM VENSTRE	BELT COVER LEFT

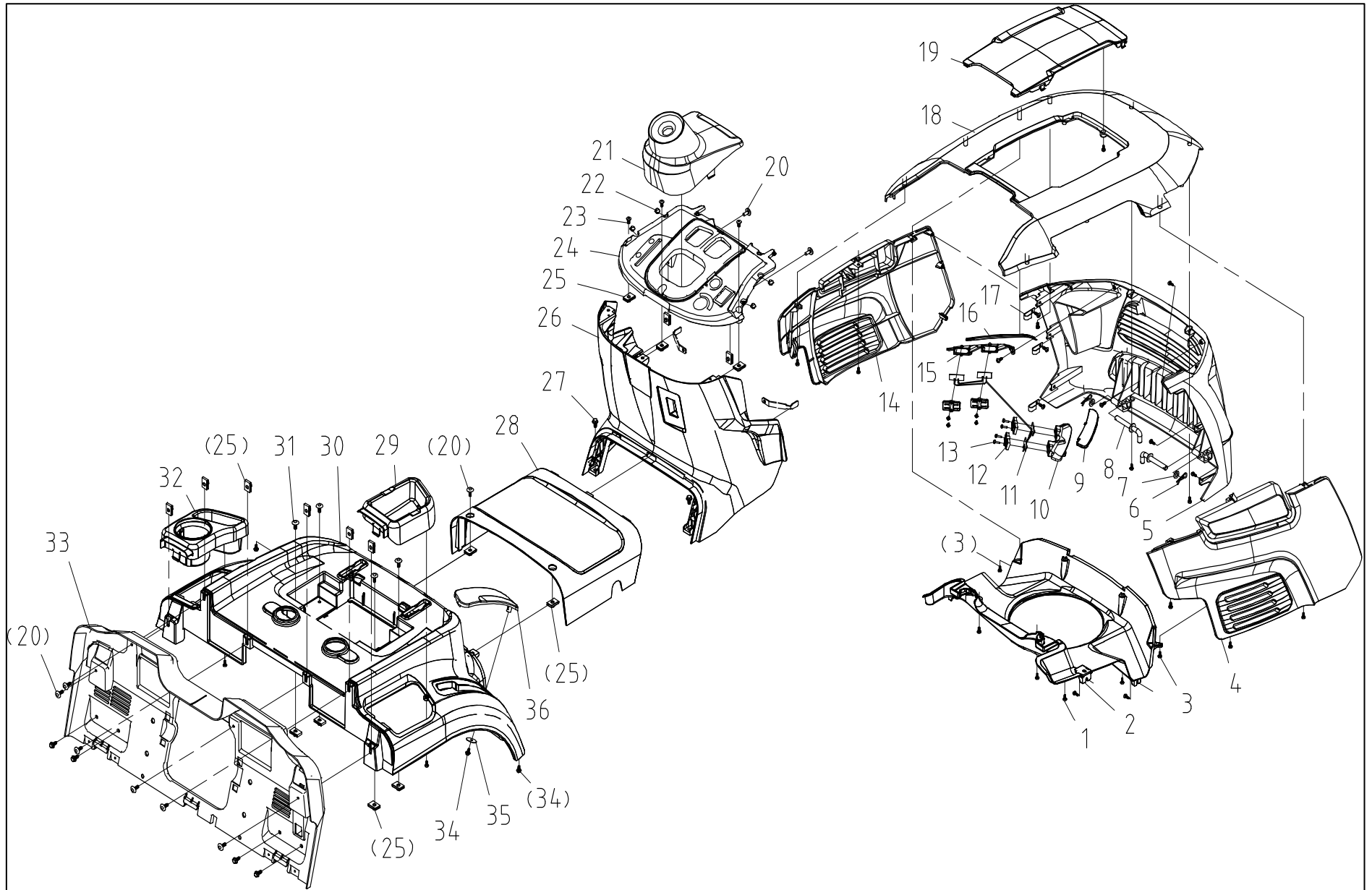
POS	QTY	PARTNUMBER	BESKRIVELSE	DESCRIPTION
45	2	452571	PLADE (FORSTÆRKNING)	DECK DISC REINFORCEMENT PLATE
46	2	440926	AFSTANDSRØR	PIVOT TUBE
47	2	440549	KNIVAKSEL	CUTTTER HOUSE
48	2	440548	AFSTANDSSKIVE	SPACER RING
49	2	440573	SKIVE 50X20,2X2	WASHER 50X20.2X2
50	2	436588	KNIVHOLDER	SLEEVE
51	1	451631	KNIV VENSTRE	LEFT BLADE
52	2	436591	SKIVE	SAUCER WASHER
53	2	436590	SKIVE M10	WASHER
54	1	436589	KNIVBOLT	BOLT 3/8-24UNF
55	2	409860	NOT HALVCIRKEL	HALFMOON KEY
56	1	451632	KNIV HØJRE	RIGHT BLADE
57	1	436589	KNIVBOLT	BOLT 3/8-24UNF



POS	QTY	PARTNUMBER	BESKRIVELSE	DESCRIPTION
1	2	439492	SKRUE M6X20	SCREW M6×20
2	1	451786	GRÆSOPSAMLER FRONT	FRONT GRASS COLLECTOR
3	2	451787	BØS 6*10*48	SPACER 6*10*48
4	11	449501	LÅSEMØTRIK M8	FLANGE LOCK NUT M6
5	1	451788	OPSAMLER BAG	REAR GRASS COLLECTOR
6	2	451789	LÅSEPAL	LOCK KNOB
7	1	451790	PROP	CORE PLUG
8	1	439492	SKRUE M6X20	SCREW M6×20
9	1	440587	GREB	HANDLE
10	1	440588	STANG	LEVER
11	1	452577	AFDÆKNING	SEALING WOOL TTM86
12	1	451792	TOPDÆKSEL	COVER
13	1	451793	TOP RAMME	GRASS COLLECTING FRAME FRONT SUPPORT WEL
14	1	451794	PLADE	HANDLE DECPRATIVE PLATE
15	6	451784	SKRUE ST4.8X16	TAPPING SCREW ST4.8X16
16	8	451795	BOLT M6X35	HEXAGON BOLT M6X35
17	1	451796	RAMME UNDERDEL	GRASS COLLECTING FRAME STATE SUPPORT WEL
18	2	451797	SIDESTAGSRØR	SIDE STAY PIPE
19	1	451798	GRÆSFANGER BUND+NET	GRASS CATCHER(BOTTOM +CATCHER)
20	4	451784	SKRUE ST4.8X16	TAPPING SCREW ST4.8X16



POS	QTY	PARTNUMBER	BESKRIVELSE	DESCRIPTION
1	1	451758	KABEL	GROUND CABLE
2	1	451744	LEDNINGSNET	ELECTRIC CABLE (ELECTRIC START)
4	1	452579	HÆTTE FOR KONTAKT	COVER, SWITCH
5	1	452580	TÆND/SLUK KONTAKT	SWITCH, PLUNGER
6	1	439672	LEDNING	BATTERY CABLE
7	1	451746	KONTAKT	BUZZER
8	1	436587	SEEGERRING Ø24	SNAP RING 19
9	2	439441	BOLT M8X45	FLANGE BOLT M10×1.5×35
10	1	439660	RELÆ	STAR RELAY
11	3	449501	LÅSEMØTRIK M8	FLANGE LOCK NUT M6
12	2	452581	RELÆ	RELAY YAP23H-12-HR
13	1	452582	BOLT M5X12	SCREW M5×12
14	1	439661	LEDNING	POWER CABLE
15	1	452611	SIKRING BRM148S 20A	FUSE BRM148S?20A
16	1	451748	KONTAKT FOR KOBLING	SWITCH, PTO
17	1	452583	KONTAKT	SWITCH
18	1	451750	KONTAKT INKL. NØGLE	ELECTRIC DOOR LOCK
19	1	451753	BESLAG	SPRING PLATE
20	2	451752	KONTAKT	SWITCH
21	1	452584	KLEMME	WIRE CLAMP
22	4	449501	LÅSEMØTRIK M8	FLANGE LOCK NUT M6
23	4	449512	MØTRIK M8	NUT M8
24	4	451754	SKIVE	WASHER 3
25	1	451755	PLADE FOR KONTAKT	SWITCH BASE
26	2	439622	SKRUE M6X16	SCREW M6×16
27	1	439626	SKRUE ST4.8X16	SCREW ST4.8×16
28	1	451756	KROG	HOOK
29	1	440803	KONTAKT ARM	SWITCH LEVER
30	1	439465	SKIVE 10	BIG WASHER 6
31	1	439456	SPLIT	SPLIT PIN
32	4	449498	SKRUE M4X16	SCREW M4×16
33	1	440431	KONTAKT	SWITCH
34	1	449527	BATTERIHOLDER TOP	BELT
35	1	440968	BATTERI 12V/18AH	BATTERY
36	2	451757	BESLAG	HOOK
37	2	451640	BOLT M6X16	TAPPING SCREWM6*16
38	1	451759	PLADE FOR BAKGEARSKONTAKT	SWITCH LEVER
39	1	451760	SKIVE	WASHER
40	2	451751	KONTAKT	SWITCH
41	2	439472	BOLT M8X20	BOLT M8×20
42	1	451761	PLADE FOR BAKGEARSKONTAKT	SWITCH BASE



POS	QTY	PARTNUMBER	BESKRIVELSE	DESCRIPTION
1	27	439626	SKRUE ST4.8X16	SCREW ST4.8×16
2	1	451762	LUFTINDTAG	AIR DIRECTOR
3	2	439626	SKRUE ST4.8X16	SCREW ST4.8×16
4	1	451763	FRONT SKÆRM HØJRE	RIGHT SIDE COVER
5	1	451764	FRONT COVER	FRONT COVER
6	2	439478	FJEDERSPLIT	COTTER PIN
7	2	436590	SKIVE M10	WASHER
8	2	451765	STANG	PIN
9	1	451766	LYS COVER HØJRE	RIGHT LIGHT COVER
10	1	451767	LYSBASE HØJRE	RIGHT LIGHT BASE TTM86,BRIGHT SILVER PLA
11	1	451768	PÆRE	LIGHT
12	4	451769	LYSBASE COVER HØJRE	LAMP BASE COVER TTM86, BLACK
13	8	439626	SKRUE ST4.8X16	SCREW ST4.8×16
14	1	451771	FRONT SKÆRM VENSTRE	LEFT SIDE COVER
15	1	451770	LYGTEBASE VENSTRE	LEFT LIGHT BASE
16	1	451772	LYS COVER VENSTRE	LEFT LIGHT COVER
17	4	415950	BESLAG	CORD SPLINT
18	1	451773	MOTOR COVER	ENGINE COVER
19	1	451774	LUFTINDTAG COVER	ENGINE COVER AIR INTAKE
20	10	439622	SKRUE M6X16	SCREW M6×16
21	1	451775	RAT COVER	STEERING WHEEL COVER
22	4	451776	ANTI-VIBRATION GUMMI	HANDLE ANTI-VIBRATION RUBBER
23	3	449498	SKRUE M4X16	SCREW M4×16
24	1	451777	PANEL	PANEL
25	17	439509	MØTRIK M6	BUCKLE NUT M6
26	1	451778	SKJOLD	SHIELD
27	6	451640	BOLT M6X16	TAPPING SCREWM6*16
28	1	451779	VEDLIGEHOLDELSESDÆKSE L	MAINTENANCE COVER
29	1	451780	OPBEVARINGSKASSE HØJRE	RIGHT STORAGE BOX
30	1	451781	BAGPLADE	REAR SEAT
31	4	439622	SKRUE M6X16	SCREW M6×16
32	1	451782	OPBEVARINGSKASSE VENSTRE	LEFT STORAGE BOX
33	1	451783	BAGKONSOL	REAR COVER TAIL-BOARD
34	5	451784	SKRUE ST4.8X16	TAPPING SCREW ST4.8X16
35	1	439454	TANKPAKNING 6X25X1.5	GASKET 6×25×1.5
36	1	451785	DEKORATIV PLADE	STALL DECORATIVE PLATE